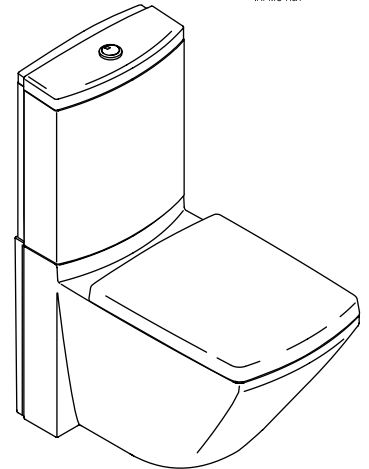


### TWO-PIECE TOILET K-3588



#### Features

- Vitreous china
- 1.6 gallons (6 L) of water per flush for solid waste and .8 gallons (3 L) of water per flush for liquid waste
- Includes top-mount flush actuator
- Includes seat
- Includes mounting hardware
- Less supply
- European contemporary design
- Complements the Escalé™ suite
- Elongated bowl
- 12" (30.5 cm) rough-in
- Backup shut-off valve located in the tank
- 26-15/16" (68.4 cm) x 15-3/8" (39.1 cm) x 32-3/4" (83.3 cm)

#### Codes/Standards Applicable

Specified model meets or exceeds the following:

- ASME A112.19.2/CSA B45.1
- ASME A112.19.14
- EPA WaterSense®

#### Colors/Finishes

- 0: White
- 47: Almond
- Other: Refer to Price Book for additional colors/finishes

#### Specified Model

Model	Description	Colors/Finishes		
K-3588	Two-piece toilet	<input type="checkbox"/> 0	<input type="checkbox"/> 47	<input type="checkbox"/> Other _____

#### Product Specification

The two-piece toilet shall be made of vitreous china. Toilet shall be 26-15/16" (68.4 cm) in length, 15-3/8" (39.1 cm) in width, and 32-3/4" (83.3 cm) in height. Toilet shall be for 12" (30.5 cm) rough-in. Toilet shall include a top-mount flush actuator which allows for 1.6 gallons (6 L) of water per flush for solid waste or .8 gallons (3 L) of water per flush for liquid waste. Toilet shall feature an elongated bowl and a backup shut-off valve located in the tank. Toilet shall feature a European contemporary design and complement the Escalé suite. Toilet shall include a seat and mounting hardware. Toilet shall be less supply. Toilet shall be Kohler Model K-3588-\_\_\_\_\_.

# ESCALE®

## Technical Information

Fixture*:	
Configuration	two-piece
Water per flush	1.6 gpf (6 lpf) or .8 gpf (3 lpf)
Water depth from rim	9-3/4" (24.8 cm)
Seat post hole centers	6-1/4" (15.9 cm)
Minimum static pressure required	20 psi (137 kPa)
Maximum static pressure	80 psi (551 kPa)
*Approximate measurements for comparison only.	

Included components:	
Toilet seat	E70004
Waste connector assembly	1070830
Installation kit	1052927
Installation template	1059382
Bowl	K-4308
Tank	K-4472

## Installation Notes

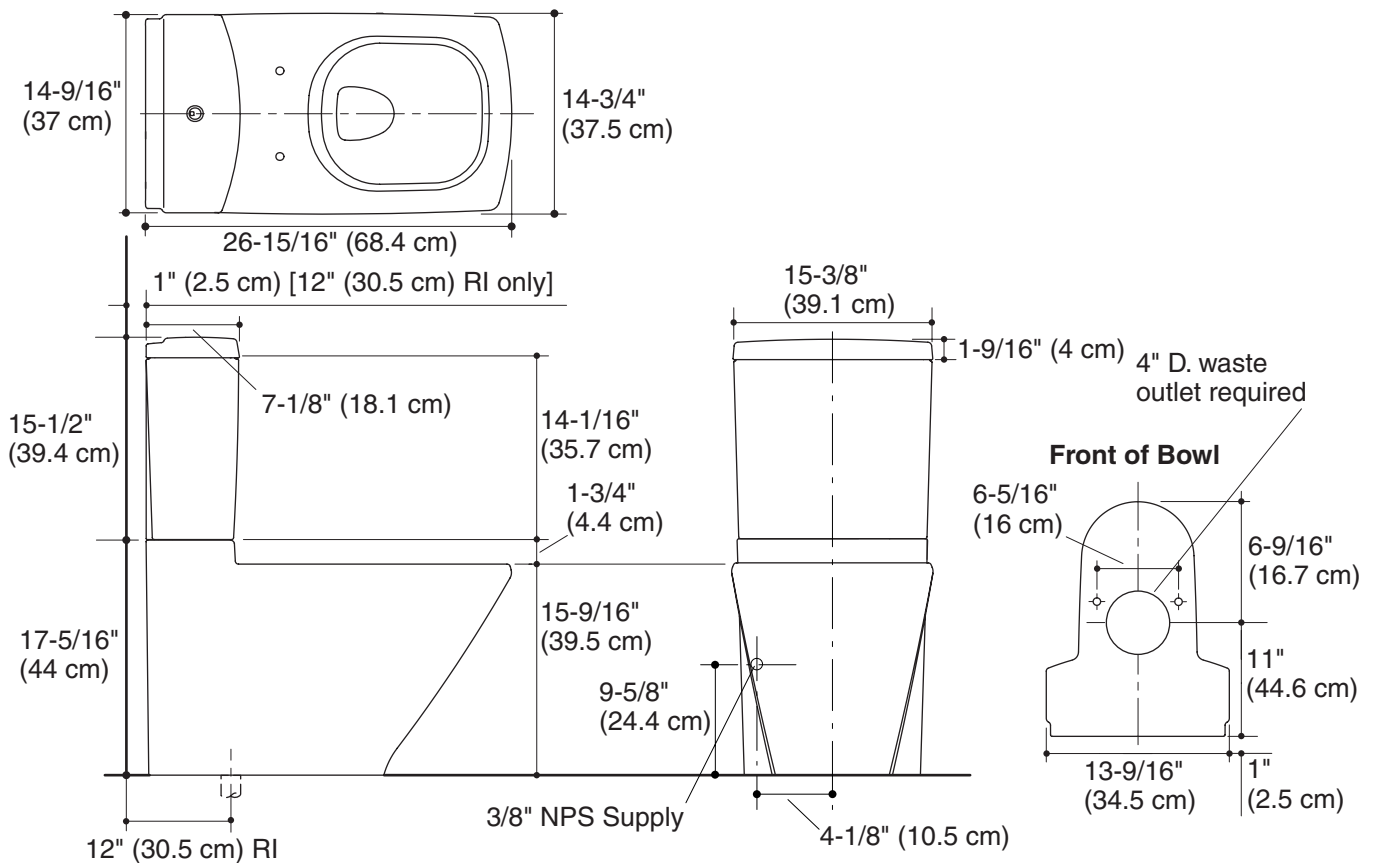
A 4" D. waste outlet is required for this installation.

A 1" (2.5 cm) gap between the toilet and the wall is required.

A flange is not required for installation of this product. If this installation will be to new construction, do not install a flange on the waste outlet.

This toilet must be secured to the floor using the supplied floor anchors and bolts. If the subfloor is made of thin oriented strand board (OSB), we recommend that 1/2" (1.3 cm) plywood be attached to the subfloor at the floor anchor locations.

Install this product according to the installation guide.



## Product Diagram